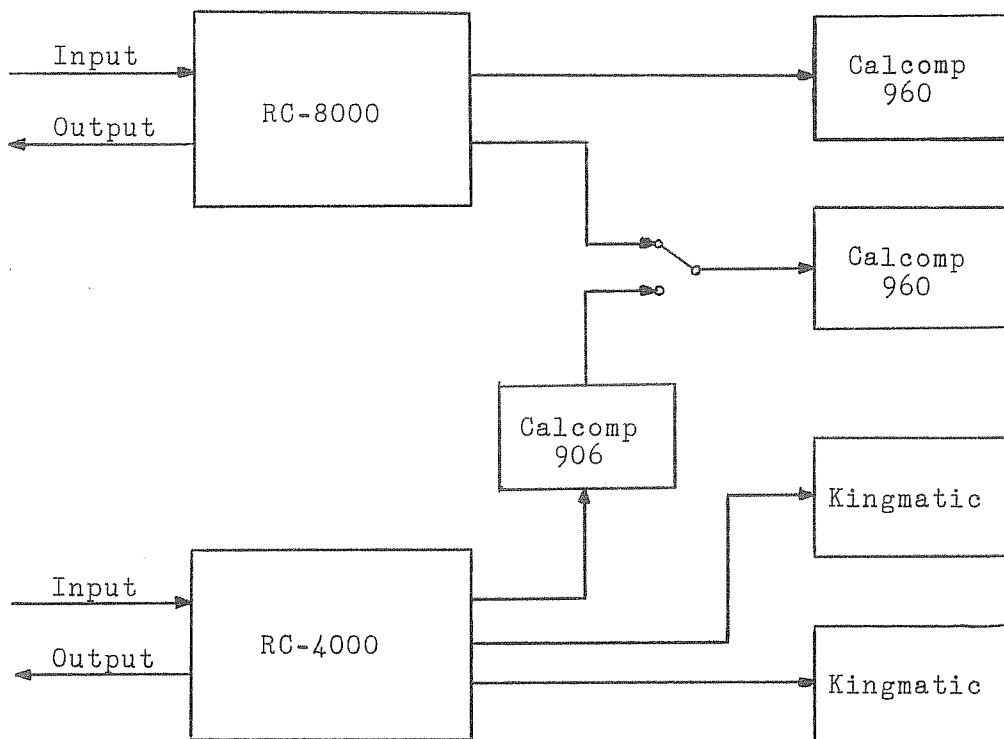


THE GRAPHICAL FACILITIES CURRENTLY IN USE AT THE DANISH
METEOROLOGICAL INSTITUTE

Mr. N. Olsen

The Danish Meteorological Institute has four plotting machines, two of the Calcomp 960 type and two of the Kingmatic type. The Institute has two computers of the RC-8000 type and RC-4000, and the RC-4000 works as a back-up machine for the RC-8000 in case of a break down. The plotting machines are connected to the computer system in the following way:



This organization means that the RC-8000 operates with the two Calcomp 960 plotters, while the RC-4000 operated with 3 plotting machines i.e. the Calcomp 960 and the two Kingmatic machines.

On these plotting machines the following maps are plotted in routine:

A North Sea map including all surface observations received.

An Atlantic map including Greenland and Europe with all surface observations received.

An Atlantic map with wind and wave conditions from ship observations.

Two Atlantic maps with upper air observations received, and 850 mb and 500 mb isolines.

Drawing of isolines based on the USA-prognosis on circum-polar maps with the North Pole in centre, at pressure levels 1000 mb and 500 mb.

Drawing of isolines based on the ECMWF-prognosis on circum-polar maps with the North Pole in centre, for surface pressure with 850 mb temperatures, and 500 mb pressure level with 500 mb temperatures.

Drawing of upper air observations on p-T-diagrams.

At present we are planning how to present the different ECMWF-products in a proper way in order to replace the temporary solution in representing the products on a lineprinter.