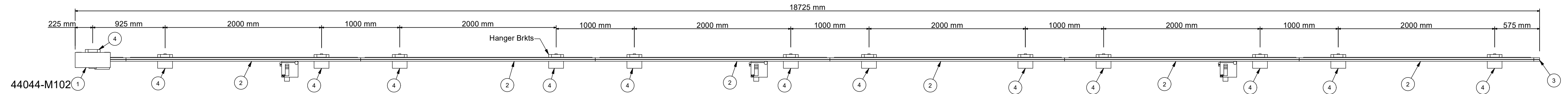


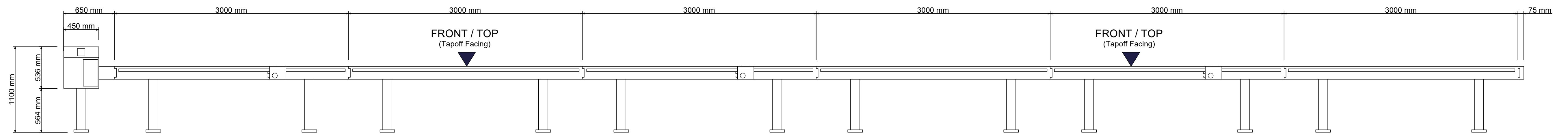
For Approval

		Parts List - Per Unit			
Item	QTY	File Name	TITLE	DESCRIPTION	MASS
1	1	DXC-02-SPA-EL-T3-M8BF-V2F CX450.ipt	DATABAR End Feed Metered with Hub (Female)	250A Endfeed Unit Female c/w Meter & Thermal Imaging	22.200 kg
2	6	DXC-02-SPA-SD-ST3.ipt	DATABAR Busway Length ST3	250A SP DATABAR Busway Length ST3 3000 Mod.	45.800 kg
3	1	DXC-EC-M.ipt	DATABAR End Cap (Male)	Male Endcap	0.303 kg
4	13	DXC-BKFL-V1-H793.ipt	Floor mount bracket - Vertical	Floor mount bracket - Vertical	6.000 kg

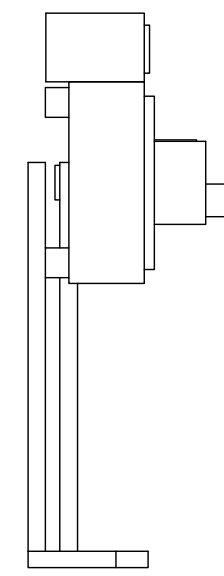
# PLAN VIEW



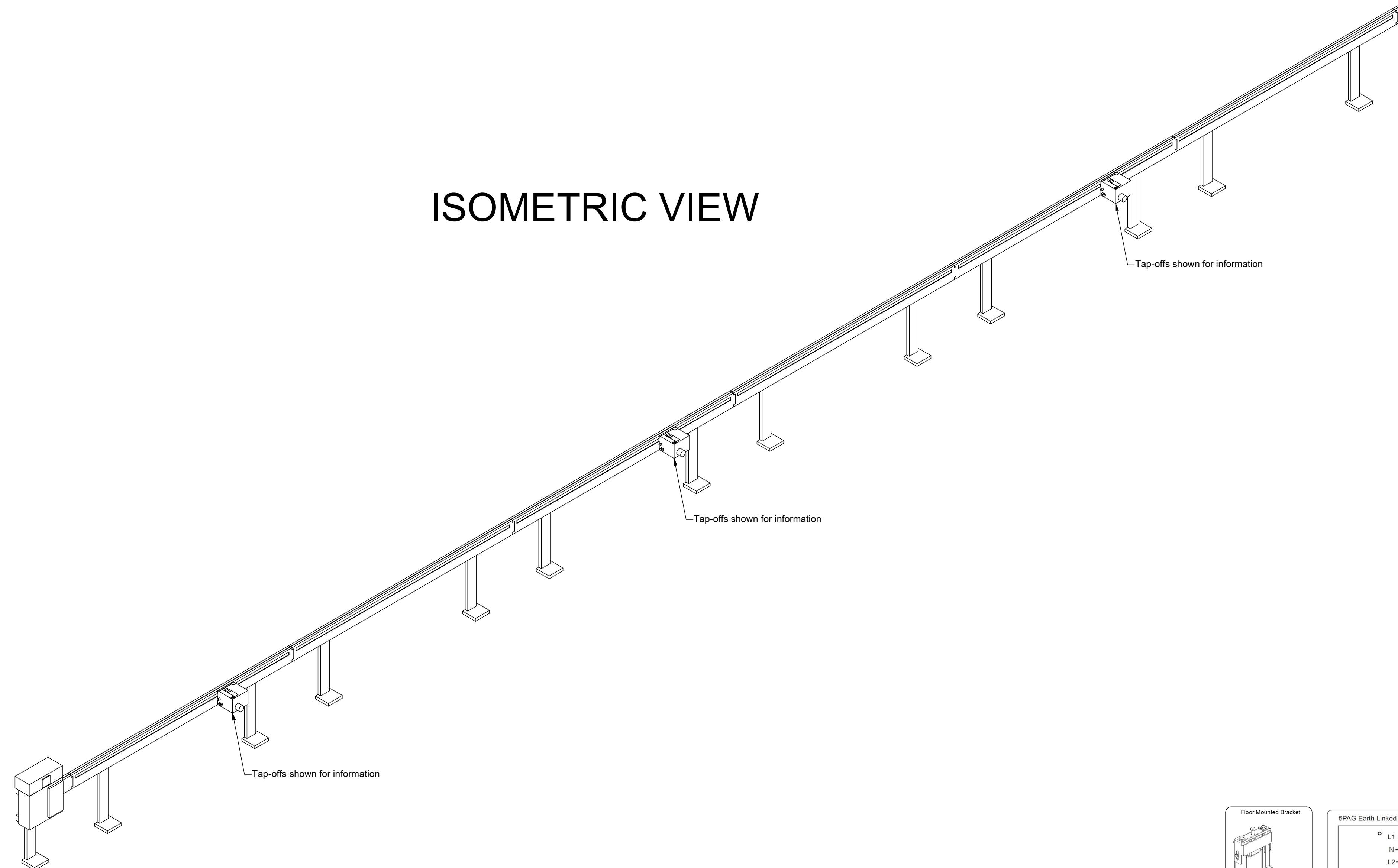
# FRONT ELEVATION



# SIDE ELEVATION

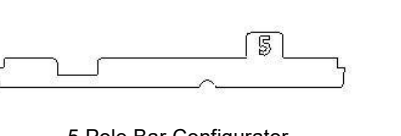


# ISOMETRIC VIEW



General Arrangement Specification	
Busbar System	Databar - DX
Voltage Rating	400V 50hz
Current Rating	250A
Fault Rating	50kA loc
IP Busbar Rating	2X
IP Tapoff Box Rating	2X
No. of Poles	5P
Conductor Type	CU
Finish	Databar Standard RAL 9005 Gloss 30%

Copyright © 2024 Anord Mardix (UK) Ltd  
 This drawing and the information contained therein, is the property of Anord Mardix (UK) Ltd and should not be copied, in whole or part, disclosed to any third party or used in the manufacture or any other purpose without the prior written consent of Anord Mardix (UK) Ltd.



Designed to 61439-6  
**DATABAR**  
 INTELLIGENT DATA HALL BUSWAY SYSTEM  
 Castle Mills, Aynam Road  
 Kendal Cumbria LA9 7DE  
 Tel: 01539 720161  
 E-Mail: emea.sales@anordmardix.com  
 www.anordmardix.com

Project  
 Disks Project  
 Drawing Title  
 GENERAL ARRANGEMENT OF 250A  
 5P FEMALE DATABAR

Client  
 ECMWF  
 Drawn By  
 A.HART  
 Date Drawn  
 24/12/2024  
 Sheet 1 of 1  
 Drawing No.  
 44044-D102  
 Scale @ A1  
 NTS  
 Rev. -

Rev	Date	Drawn By	Description	ENG Approved	PM Approved
-	02/01/2025	A.HART	FIRST ISSUE	D.SCOTT	Y.PATEL
			Revision Table		